



RS-PI09CA01

Middle Range UHF Integrated Reader

RS-PI09CA01

Middle Range UHF Integrated Reader

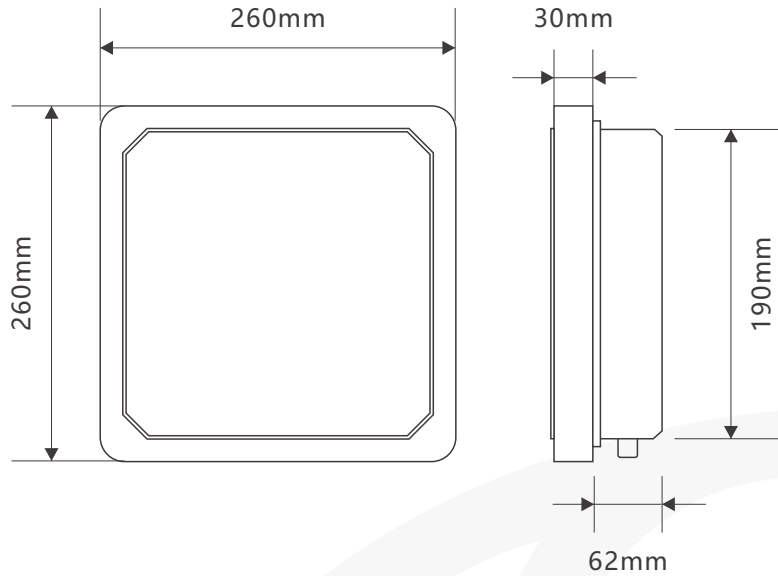


RS-PI09CA01 middle range UHF integrated reader with built in 9dBi circular polarization antenna, reading 10m, portable and user-friendly, is widely used in asset tracking, production line, warehouse, logistic management, vehicle and personal management.

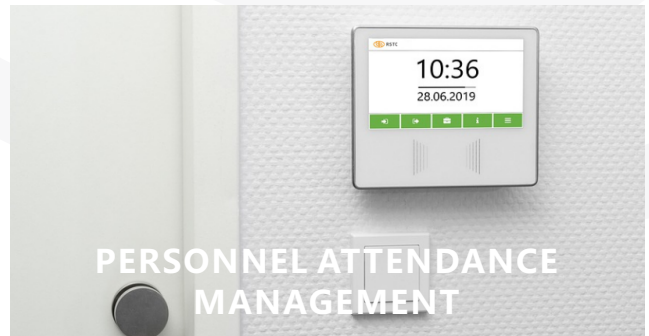
RS-PI09CA01 Middle Range UHF Integrated Reader

Product Dimensions

Any discrepancy, please defer to the real product instead.



Application



RS-PI09CA01

Middle Range UHF Integrated Reader

Specification

UHF	
RF Protocol	EPC Global UHF Class 1 Gen2 / ISO18000-6C
Engine	Based on Impinj Indy R2000
Frequency	902~928MHz, 865~868MHz
Antenna Gain	Built-in 9dBi circular polarization antenna
Output Power	0dBm ~ +33dBm
Communication Port	RS-232, 10M/100M Ethernet interfaces
Optional Interfaces	Wiegand 26/34
GPIO	2 Inputs, 2 Outputs
Reading Range	0~10m (depends on antenna and tag type)
Writing Range	0-3m (depends on antenna and tag type)
Supported Regions	China, Korea, Malaysia, Japan US, Canada and other regions following U.S. FCC Europe and other regions following ETSI EN 302 208

Mechanical & Electrical Performance	
Power	DC 12V~18V
Power Assumption	1W(Standby), 9W(Working)
Dimension	260×260×92mm
Weight	1.3kg
Material	ABS Industrial casing
Work Temperature	-40°C ~ +75°C
Storage Temperature	-40°C ~ +80°C
IP Rate	IP67



RuiSing Technology Company (Hong Kong) Limited



www.rstc-hk.com



+86-755-2692 2853



sales@rstc-hk.com



HONGKONG

Unit D16/F, One Capital Place, 18 Luard Road, Wan Chai



SHENZHEN

9/F, Xinjing Mansion, Xinqu Blvd, Longhua District

