



RS-PT12

UHF High Protecting On-metal Tag

RS-PT12 UHF High Protecting On-metal Tag

This high protecting tag is specially designed for metallic asset tracking under outdoor or extremely harsh environments. Attached on metal with long reading distance, mainly used for asset management heavy industry, metallic asset tracking, oil & gas & mining, automatic production line, warehouse shelf, container tracking, etc.



Specification

Physical Features

Material	Engineering Plastics
Color	Gray or Customization
Dimensions	136×43×10.3mm
Weight	47g
Working Temp	-40~+85°C
Storage Temp	-40~+100°C

RFID Features

RFID Standard	ISO/IEC 18000-6C (EPC C1G2)
Chip Type	Impinj Monza 4E/4QT/4i
EPC Memory	496/128/256 bits
TID Memory	128/512/480 bits
Max Read Range (2W ERP FCC)	30m

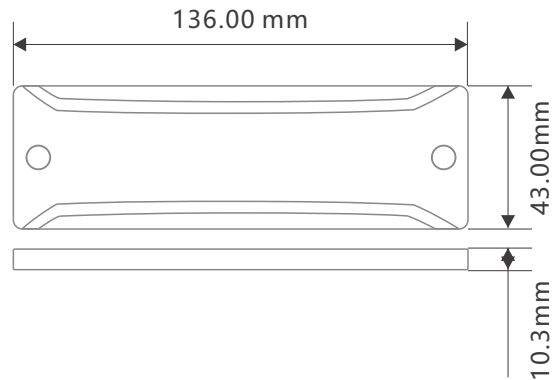
Other Features

Data Storage	> 10 years
Re-write	100,000 times
Installation	3M adhesive, Screw, Magnet, Cable
Customization	Printing LOGO, Barcode, Encoding, Serial number, Designing, etc
Package	100pcs/bag
Application	<ul style="list-style-type: none"> ● Oil & Gas & Mining ● Industry equipment ● Cargo Container Tracking ● Logistics and warehouse, etc.

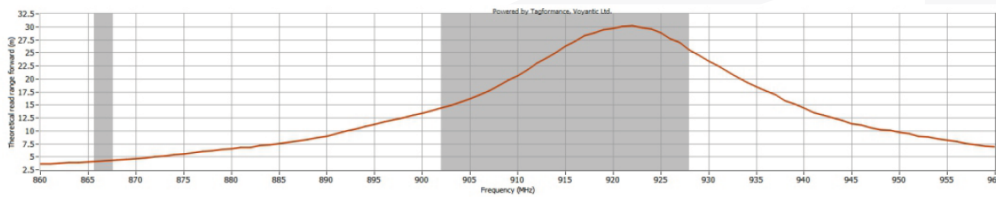
RS-PT12

UHF High Protecting On-metal Tag

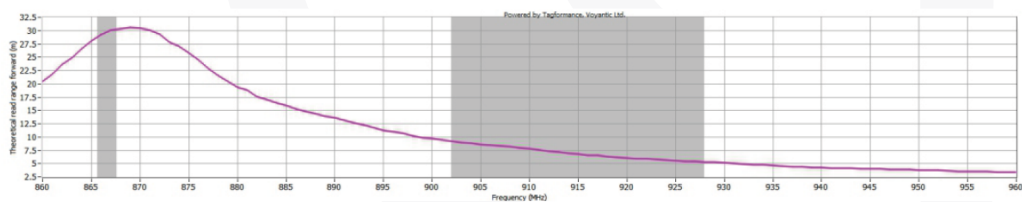
Dimensions





Read Range on metal FCC



Read Range on metal ETSI



 **RuiSing Technology Company (Hong Kong) Limited**

 www.rstc-hk.com  +86-755-2692 2853  sales@rstc-hk.com

 **HONGKONG** Unit D16/F, One Capital Place, 18 Luard Road, Wan Chai

 **SHENZHEN** 9/F, Xinjing Mansion, Xinqu Blvd, Longhua District

